

# Series 26 Low Water Cutoff – Standoff Mount

- ▶ Meets CSD1 Requirements
- ▶ Non Powered Contacts
- ▶ Time Delays Available
- ▶ LED Monitoring
- ▶ Test Feature
- ▶ AC Current Minimizes Electrolysis
- ▶ Snap-Thru Standoff Mounting
- ▶ Compact Size
- ▶ Power Outage Feature
- ▶ U.L. “Limit Control”

## Series 26 – General Purpose Control

Designed for boiler low-water cutoff protection. A snap-through standoff mounting device is available for Series 26 units. Optional Power Outage feature resets after nuisance outages. Optional reset button is used when device has been deactivated because of low water condition. Reset is functional only if water has returned to normal level. Optional Test Feature available allows LLCO circuit to be tested without draining the water level in the boiler. Built-in 3 second time delay is standard. Up to 90 seconds available for increasing and decreasing levels.

## Specifications

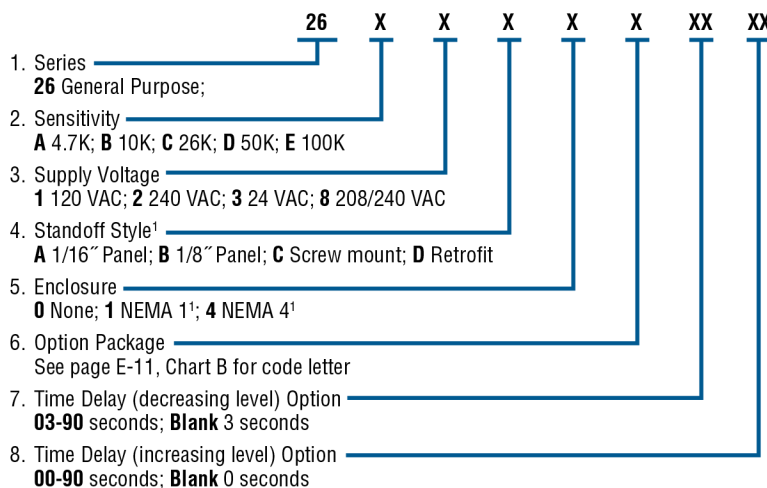
<b>Contact Design</b>	1 N.O. & 1 N.C. (1 form C)
<b>Contact Rating</b>	10 amp Resistive 1/3 hp at 120, 240 VAC
<b>Mode of Operation</b>	Direct
<b>Sensitivity</b>	0-100K ohm, factory set
<b>Primary Voltage</b>	120 VAC, 240 VAC <sup>1</sup> , 24 VAC, 208/240 VAC (+10%/-15%) 50/60 Hz
<b>Secondary Voltage</b>	12 VAC, 1.5 mA
<b>Temperature</b>	-40°F to +150°F (-40°C to +65°C)
<b>Approvals<sup>1</sup></b>	U.L. 353, U.L. 508 File # MP1430
<b>Terminal Style</b>	Spade connection
<b>Options</b>	Time Delays, Power Outage, Retrofit Plate, Test Feature, See page E-11 for descriptions

Notes:

- 240 VAC and 208/240 VAC are not U.L. recognized

## How to Order

Use the **Bold** characters from the chart below to construct a product code.



Notes:

- Standoff Style **D** only.

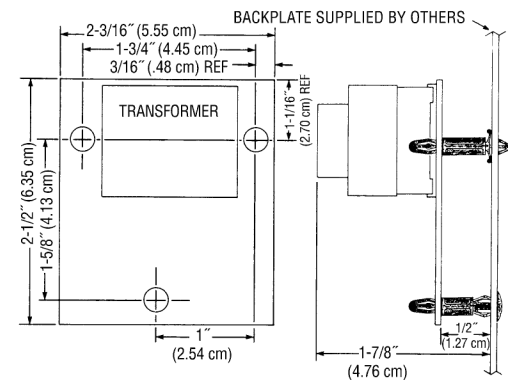
Socket Details and Option Availability are located on web site.



## Applications

- Low-Water Cutoff
- Point Level
- Valve Control
- Single-Level Service
- Alarms
- Pump Control

## Dimensions



## Wiring

